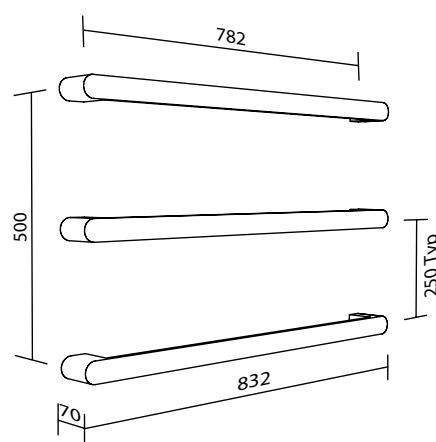
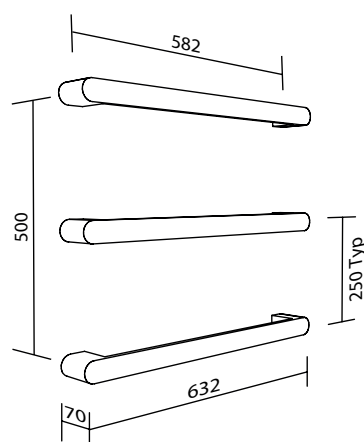
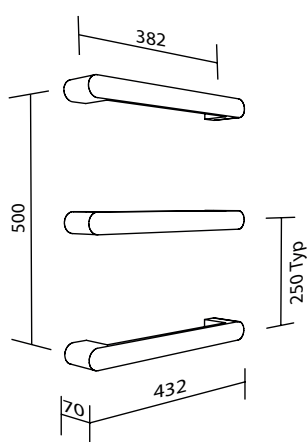


# VEGA 432, 632, 832

Available in 3 different widths, with a depth of 70mm from the wall Vega heated towel rails fit well with both linear and curved shapes and styles .



## SPECIFICATIONS

<b>Dimensions</b>	H 50mm X W 432, 632, 832mm X D 70mm	<b>Options</b>	Heated or non heated
<b>Tube profile</b>	□	<b>Power entry</b>	ANY leg, left or right
<b>Recommended use</b>	Residential and commercial	<b>Voltage</b>	12V AC safety isolating transformer
<b>Materials</b>	Stainless steel 304 grade	<b>Wattage</b>	432 - 12W, 632 - 17W, 832 - 19W
<b>Finish</b>	Mirror, satin, matte black, matte white	<b>Standards</b>	AS/NZS:60335.2.43
<b>Technology</b>	Dry element (no leaks)	<b>Safety rating</b>	IPX7 (immersion at 1 metre for 30mins)

## FEATURES

<b>Low Voltage</b>	Low voltage safe installation in ANY zone
<b>Easy install</b>	ALL floor types, pre-wiring IS required
<b>Ecotimer</b>	Ecotimer included (with transformer kit)

# VEGA 432, 632, 832

## COMPONENT LIST

1 x Black polytube 40mm	3 x Waterproof wirenuts
4 x Black polytube 5mm, to hold wire in masonry slot	2 x Large zinc plated self tapping screws, pan head 10g x 50mm
2 x Stainless steel grub screws, 4g x 1/4" countersunk head	2 x Plastic rawl plugs, for installation on masonry walls
2 x Black round polycarbonate bushes	

## TRANSFORMER KIT \*TO BE ORDERED SEPARATELY

1 x Ecotimer	2 x 3m lengths 1.5mm 2 appliance wire 90 deg C
1 x Electronic transformer	



DISCLAIMER Products in this specification manual must, by regulation, be installed by licensed and registered trade people. The manufacturer/distributor reserves the right to vary specifications or delete models from their range without prior notification. Dimensions and set-outs listed are correct at time of publication however the manufacturer/distributor takes no responsibility for printing errors.

**\*WARRANTY: 7 YEARS HARDWARE, 3 YEARS ELECTRICAL COMPONENTRY**

