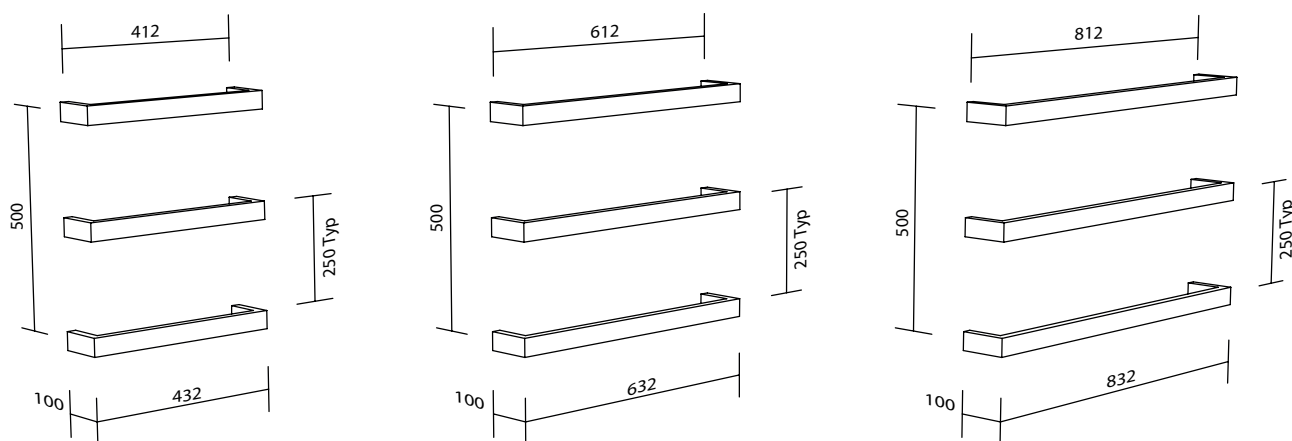


SIROCO 432, 632, 832

Available in 3 different widths, constructed from rectangular stainless steel tube. Finished in Chrome, Satin, Matte Black or Matte White to suit modern minimalist decor.



SPECIFICATIONS

Dimensions	H 40mm X W 432, 632, 832mm X D 100mm	Options	Heated or non heated
Tube profile	□	Power entry	ANY leg, left or right
Recommended use	Residential and commercial	Voltage	12V AC safety isolating transformer
Materials	Stainless steel 304 grade	Wattage	432 - 12W, 632 - 17W, 832 - 19W
Finish	Mirror, satin, matte black, matte white	Standards	AS/NZS:60335.2.43
Technology	Dry element (no leaks)	Safety rating	IPX7 (immersion at 1 metre for 30mins)

FEATURES

Low Voltage	Low voltage safe installation in ANY zone
Easy install	ALL floor types, pre-wiring IS required
Ecotimer	Ecotimer included (with transformer kit)

SIROCO 432, 632, 832

COMPONENT LIST

1 x Black polytube 40mm	3 x Waterproof wirenuts
4 x Black polytube 5mm, to hold wire in masonry slot	2 x Large zinc plated self tapping screws, pan head 10g x 50mm
2 x Stainless steel grub screws, 4g x 1/4" countersunk head	2 x Plastic rawl plugs, for installation on masonry walls
2 x Black rectangular polycarbonate bushes	

TRANSFORMER KIT *TO BE ORDERED SEPARATELY

1 x Ecotimer	2 x 3m lengths 1.5mm 2 appliance wire 90 deg C
1 x Electronic transformer	



DISCLAIMER Products in this specification manual must, by regulation, be installed by licensed and registered trade people. The manufacturer/distributor reserves the right to vary specifications or delete models from their range without prior notification. Dimensions and set-outs listed are correct at time of publication however the manufacturer/distributor takes no responsibility for printing errors.

***WARRANTY: 7 YEARS HARDWARE, 3 YEARS ELECTRICAL COMPONENTRY**

