

# Installation instructions

## CABLE

### Concealed cable

#### CONCEALED CABLE INSTALLATION INSTRUCTIONS

Please read these instructions carefully. DC SHORT LTD cannot be held responsible if the installation and use of the towel rail is not carried out in accordance with the instructions given below or for materials not supplied by DC SHORT LTD.

#### SAFETY

The towel rail is not intended for use by young children or infirm persons without supervision. Young children should be supervised to ensure that they do not play with the appliance. The towel rail has been designed to withstand the loads expected during normal operation as a towel rail. The towel rail is not a ladder and should not be used as such.

#### ELECTRICAL

The towel rail must be wired by a registered electrician and must be earthed. An isolating switch must be positioned near the towel rail. If the supply cord is damaged the entire towel rail must be returned to DC SHORT LTD for repair.

#### WALL MOUNTING

The towel rail is designed to be fixed through wall cladding into solid wall framing, solid cementitious, or masonry walls. Plasterboard toggles, of at least 3mm diameter, may be used for 2 of the towel rail fixings. The recommended installation height is between 300 and 400mm from the floor to the bottom rail.

#### INSTALLATION

- Install a temporary cable from the isolating switch flush box to the 15mm exit hole in the wall framing, see Fig 1.0
- It is recommended that the isolating switch be located within 1 metre of the towel rail.
- Connection details for switches further than 1 metre must comply with the appropriate wiring regulations.
- Screw the cable entry fitting into the 15mm hole in the wall framing using an adjustable spanner, see Fig 2.0
- If fixing into masonry walls drill a 16mm hole and use the raw plug provided.
- The temporary cable will need to pass through the cable entry fitting.

**IMPORTANT Make sure that the flat side comes to rest facing straight down, see Fig 2.0**

- Push the appliance cable back through the leg, see Fig 3.0
- Take care not to damage the cable insulation.
- Remove the opaque plastic cable bush.\*

\*Optional: The larger black nylon hole plug can be inserted if required, see Fig 4.0

- Connect the temporary cable to the towel rail flex and pull the flex through to the flush box.
- Place the towel rail against the wall in the desired position.
- Using a fine pencil, or by gently pressing the rail against the wall, mark the position of the remaining three rail legs.
- Screw the mounting inserts securely to the wall at the locations marked.
- A small amount of vaseline applied to each mounting insert at this time will make assembly easier.

**INSTALLATION NOTES CONTINUED OVER PAGE...**

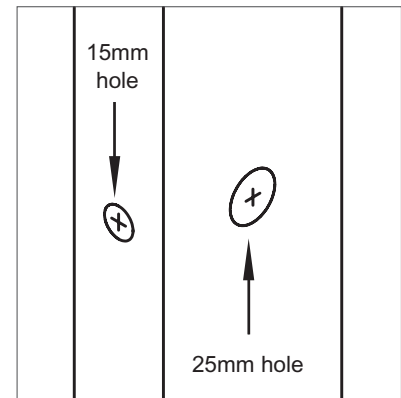


Fig 1.0

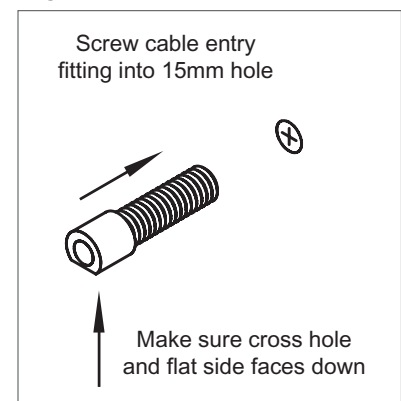


Fig 2.0

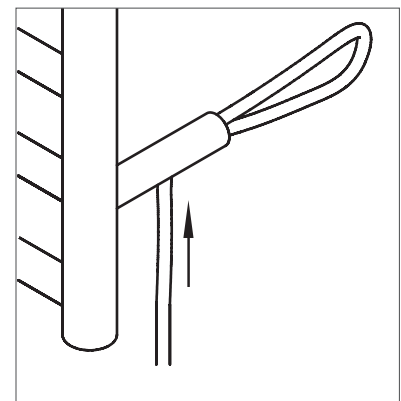


Fig 3.0

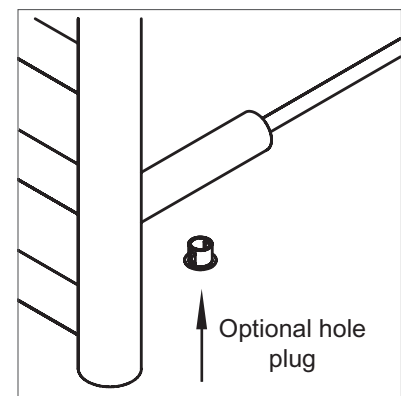


Fig 4.0

# Installation instructions

## CABLE

### Concealed cable

#### INSTALLATION NOTES CONTINUED

- Using a fine pencil, or by gently pressing the rail against the wall, mark the position of the remaining three rail legs. see Fig 5.0
  - Screw the mounting inserts securely to the wall at the locations marked. see Fig 6.0
  - A small amount of vaseline applied to each mounting insert at this time will make assembly easier.
  - Press the towel rail onto the mounting inserts gradually, checking that each leg is lined up with the mounting inserts before applying force. see Fig 7.0
  - Insert the small nylon hole plug into the underside of the cable bush.
  - Screw self tapping screws into each of the four legs to secure the rail.
  - The fixing screw for the cable leg needs to tap into the nylon plug. see Fig 8.0
  - Wire the cable into the isolating switch
- .....

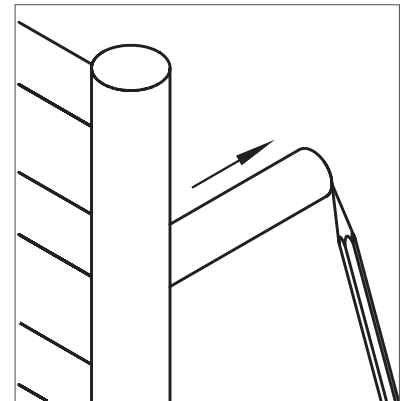


Fig 5.0

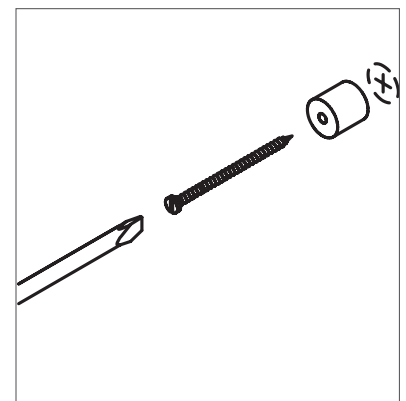


Fig 6.0

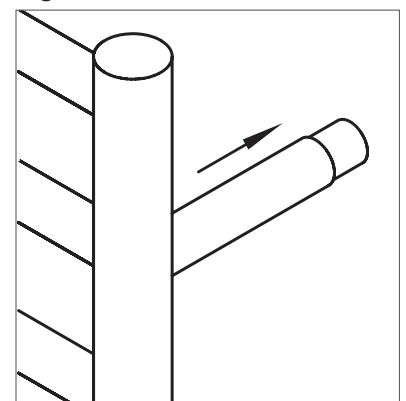


Fig 7.0

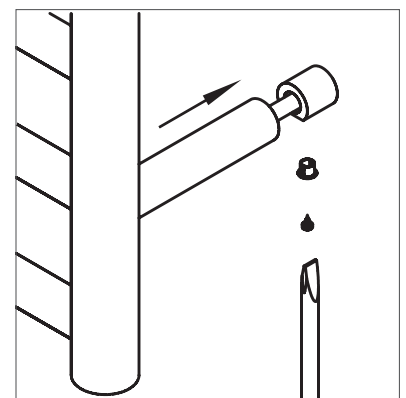


Fig 8.0