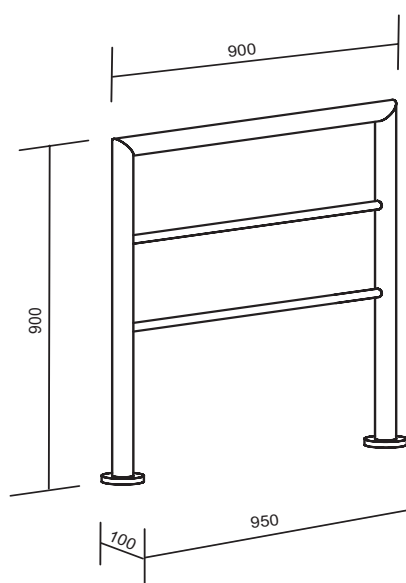


CAVA DUA

Functional and stylish the DCS range of floor mounted heated towel rails look great next to freestanding baths and compliment any bathroom or ensuite.



SPECIFICATIONS

Dimensions	H 900mm X W 900mm	Options	Heated or non heated
Tube profile	O/o	Power entry	ANY leg, left or right
Recommended use	Residential and commercial	Voltage	12V AC safety isolating transformer
Materials	Stainless steel 304 grade	Wattage	80W
Finish	Mirror, satin, matte black	Standards	AS/NZS:60335.2.43
Technology	Dry element (no leaks)	Safety rating	IPX7 (immersion at 1 metre for 30mins)

FEATURES

Low Voltage	Low voltage safe installation in ANY zone
Easy install	ALL floor types, pre-wiring IS required
Ecotimer	Ecotimer included (with transformer kit)

CAVA DUA

COMPONENT LIST

4 x Stainless steel coach screws, hex head

3 x Waterproof wire nuts

4 x Plastic rawl plugs

TRANSFORMER KIT

1 x Ecotimer

2 x 3m lengths 1.5mm 2 appliance wire 90 deg C

1 x Electronic transformer



DISCLAIMER Products in this specification manual must, by regulation, be installed by licensed and registered trade people. The manufacturer/distributor reserves the right to vary specifications or delete models from their range without prior notification. Dimensions and set-outs listed are correct at time of publication however the manufacturer/distributor takes no responsibility for printing errors.

