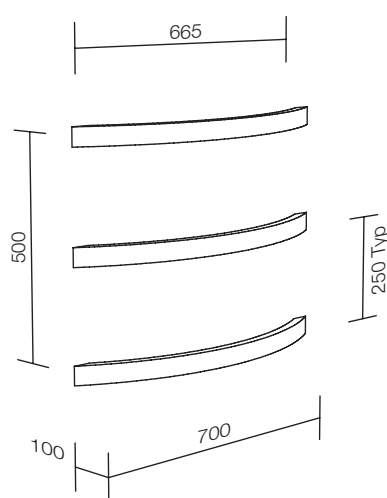


ARC

Available in a single width of 700mm. Combines both angular and curved design elements.



SPECIFICATIONS

Dimensions	H 40mm X W 700mm X D 100mm	Options	Heated or non heated
Tube profile	□	Power entry	ANY leg, left or right
Recommended use	Residential and commercial	Voltage	12V AC safety isolating transformer
Materials	Stainless steel 304 grade	Wattage	17W
Finish	Mirror, satin, matte black, matte white	Standards	AS/NZS:60335.2.43
Technology	Dry element (no leaks)	Safety rating	IPX7 (immersion at 1 metre for 30mins)

FEATURES

Low Voltage	Low voltage safe installation in ANY zone
Easy install	ALL floor types, pre-wiring IS required
Ecotimer	Ecotimer included (with transformer kit)

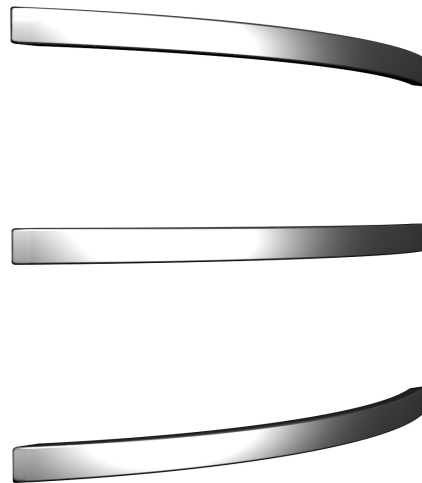
ARC

COMPONENT LIST

1 x Black polytube 40mm	3 x Waterproof wirenuts
4 x Black polytube 5mm, to hold wire in masonry slot	2 x Long stainless steel screws, pan head 10g x 50mm
1 x Allen key	2 x Plastic rawl plugs, for installation on masonry walls
2 x Stainless steel brackets	

TRANSFORMER KIT *TO BE ORDERED SEPARATELY

1 x Ecotimer	2 x 3m lengths 1.5mm 2 appliance wire 90 deg C
1 x Electronic transformer	



DISCLAIMER Products in this specification manual must, by regulation, be installed by licensed and registered trade people. The manufacturer/distributor reserves the right to vary specifications or delete models from their range without prior notification. Dimensions and set-outs listed are correct at time of publication however the manufacturer/distributor takes no responsibility for printing errors.

***WARRANTY: 7 YEARS HARDWARE, 3 YEARS ELECTRICAL COMPONENTRY**

